

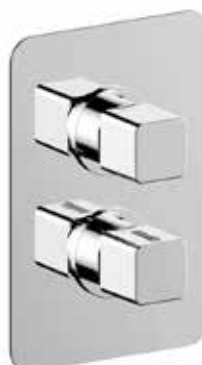
UMA35



UMA465



UMACOULE



UMACUDO



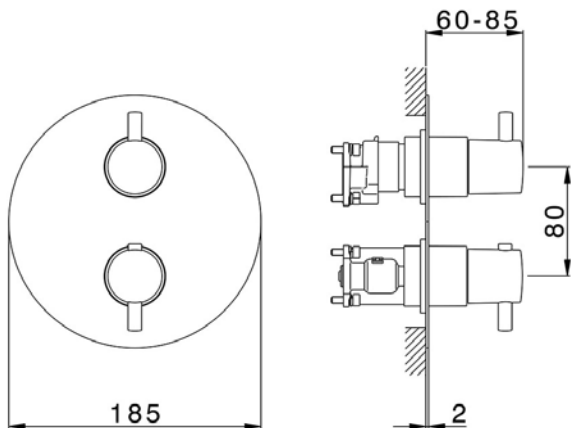
UMATRAD

CIFIAL[®]

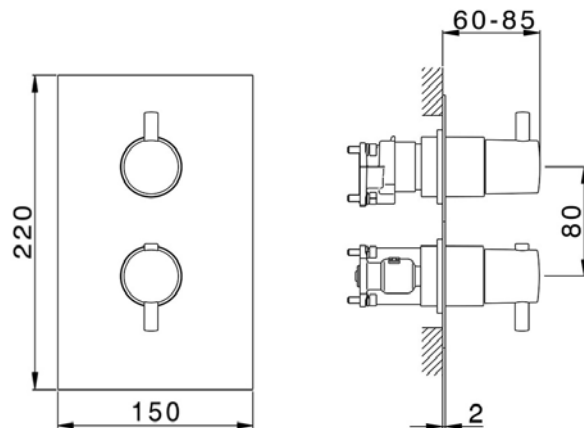
www.cifial.co.uk
sales@cifial.co.uk

UmaBox Trim installation

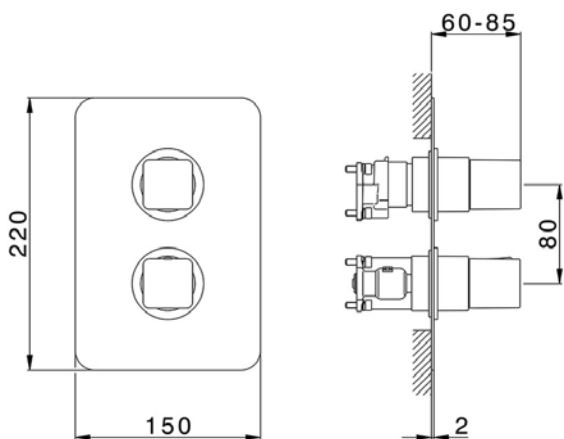
For use with UmaBox



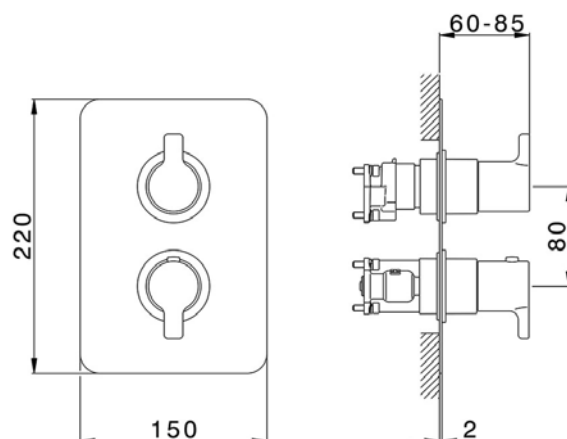
UMA35



UMA465



UMACUDO

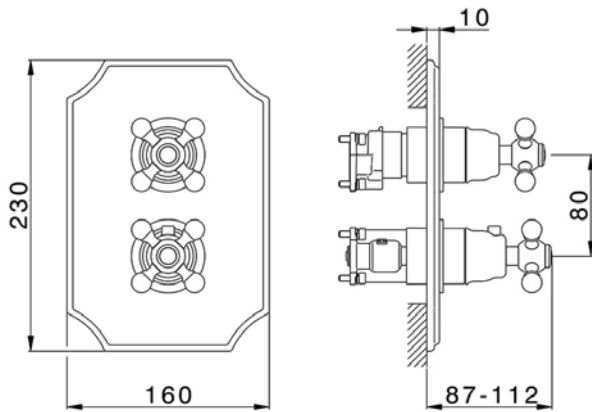


UMACOULE

CIFIAL[®]

www.cifial.co.uk
sales@cifial.co.uk

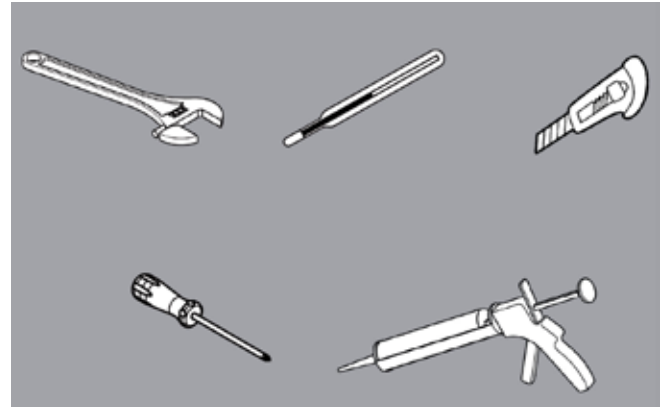
For use with UmaBox



UMATRAD



Tools required
(not included)



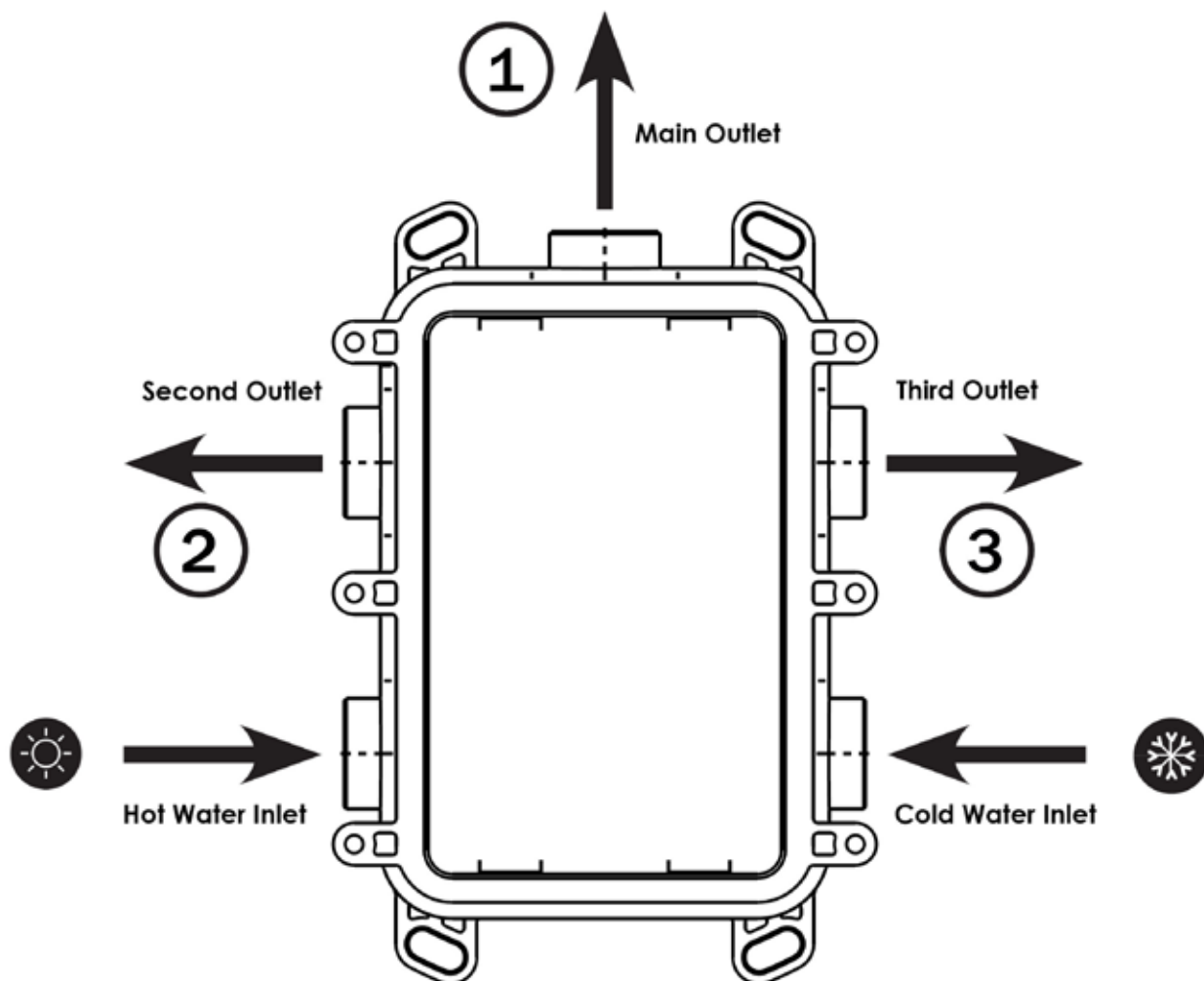
OPERATING CONDITIONS

- Minimum dynamic pressure.....1 bar
- Recommended working pressure (static).....3 bar
(ATTENTION: when pressure exceeds 5 bar, the installation of a pressure reducer is recommended)
- Maximum working pressure (static).....5 bar
- Maximum test pressure (static).....16 bar
- Maximum hot water temperature.....80 °C
- Recommended hot water temperature.....65 °C (for safety and energy saving)

CIFIAL®

www.cifial.co.uk
sales@cifial.co.uk

For use with UmaBox



CIFIAL®

www.cifial.co.uk
sales@cifial.co.uk

TOP CONTROL OPERATION = on/off and diverter combined

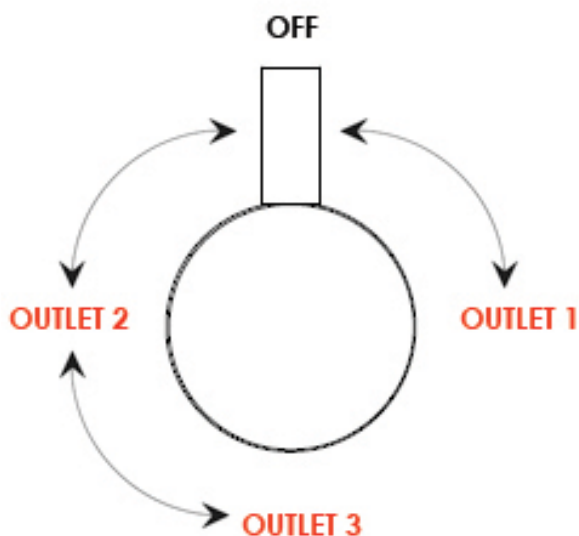
Lever upright = off

Lever clockwise = mixed water out of right **outlet 1**

Lever anti clockwise = mixed water out of top **outlet 2**

Lever facing downwards = mixed water out of left **outlet 3**

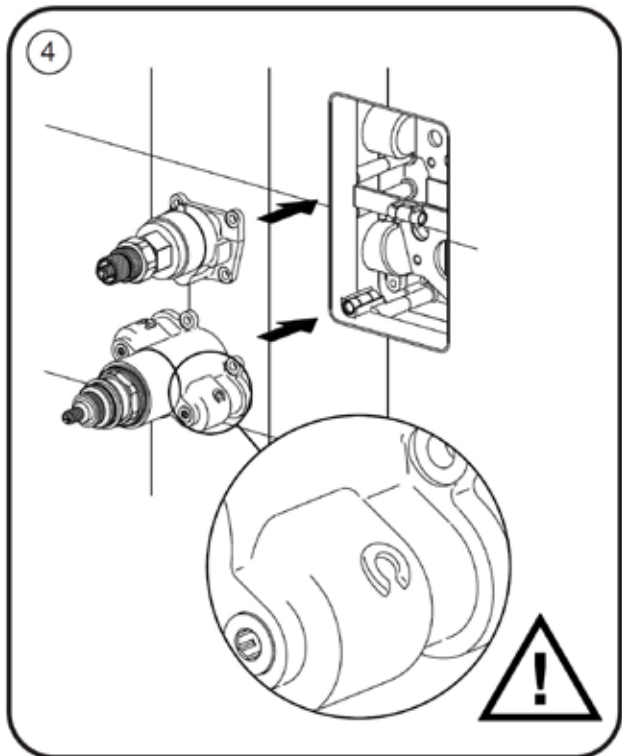
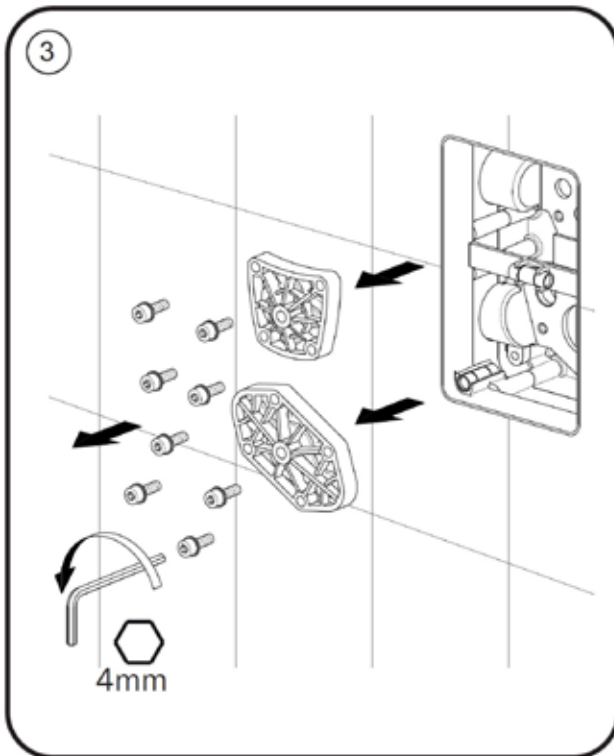
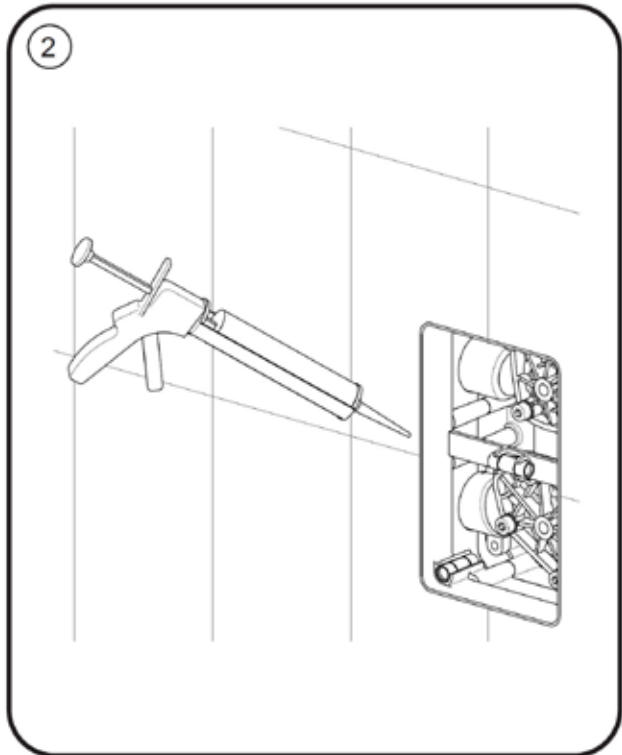
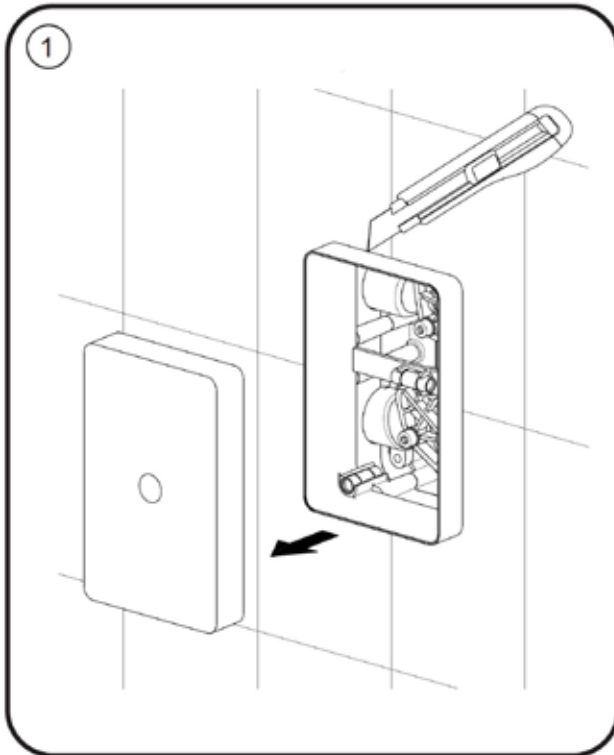
NB: **You can only use 1 outlet at a time



(A small amount of water passes through **outlet 2** on the way to **outlet 3**)

UmaBox Trim installation

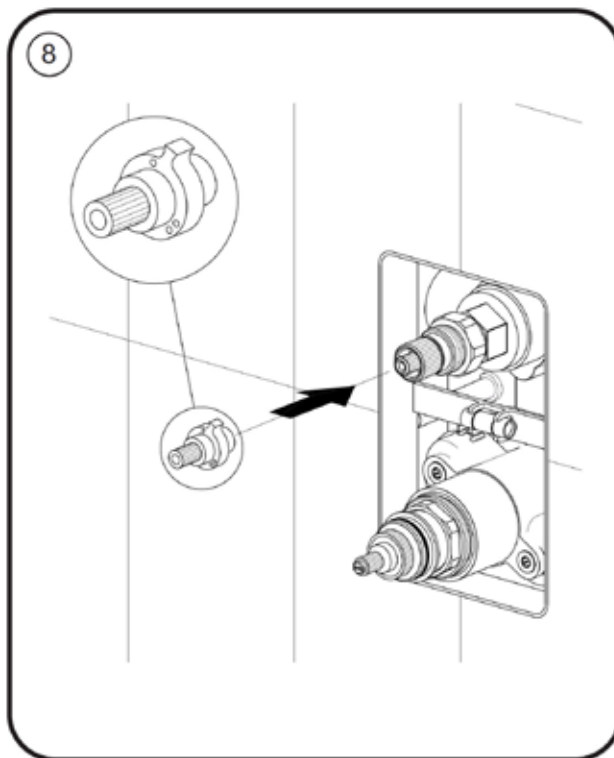
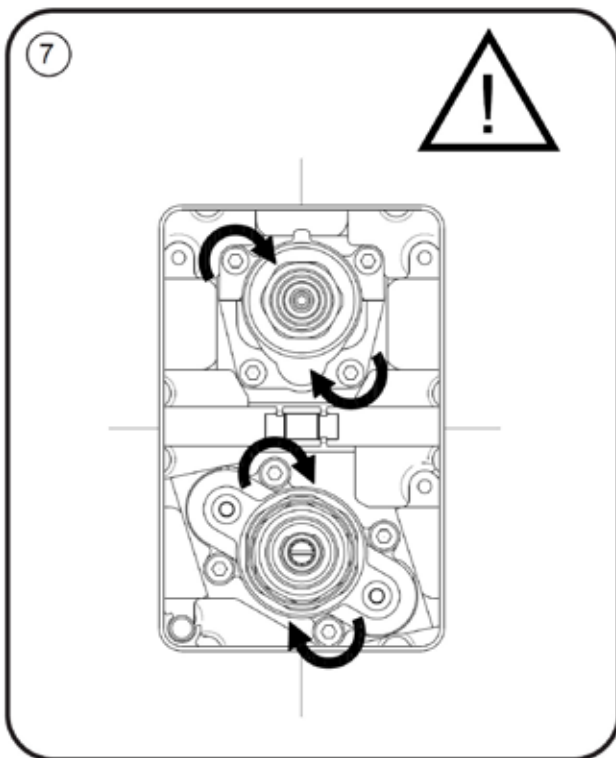
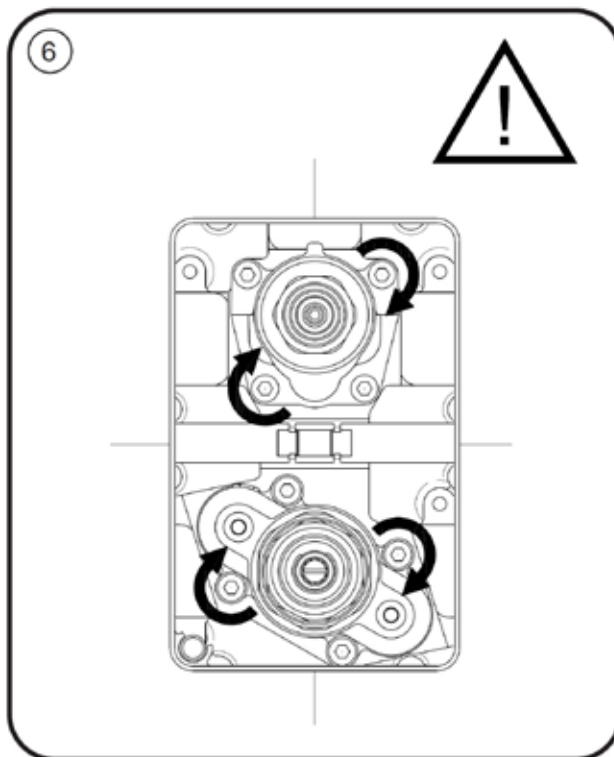
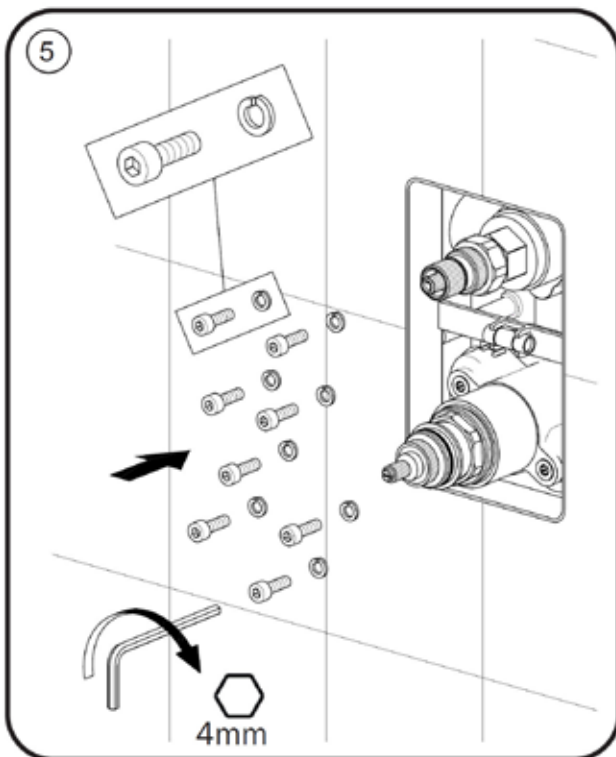
For use with UmaBox



CIFIAL[®]

www.cifial.co.uk
sales@cifial.co.uk

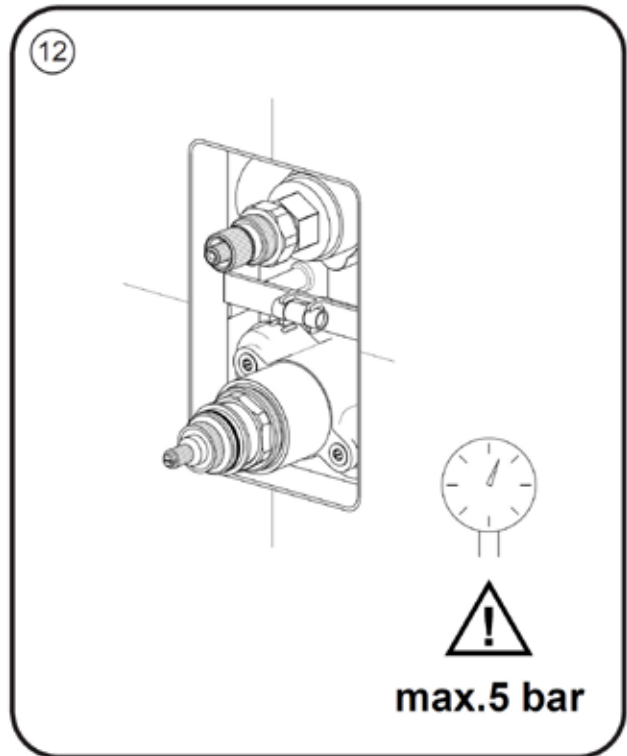
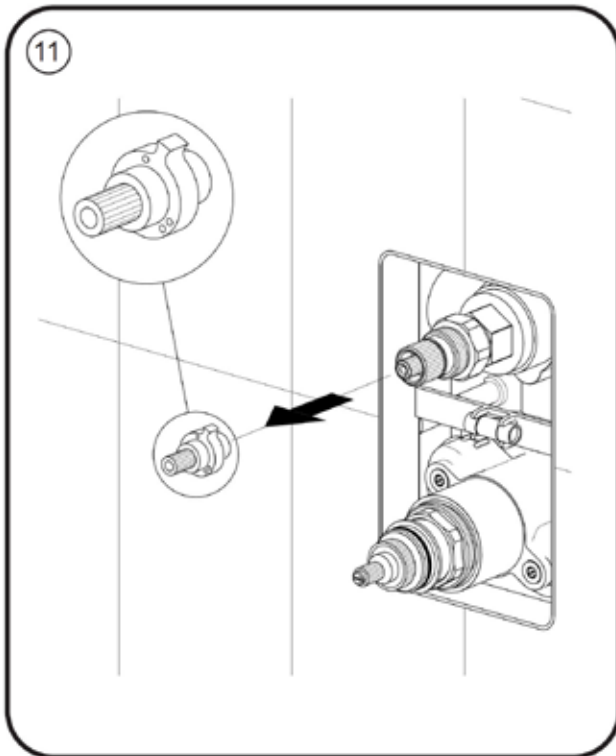
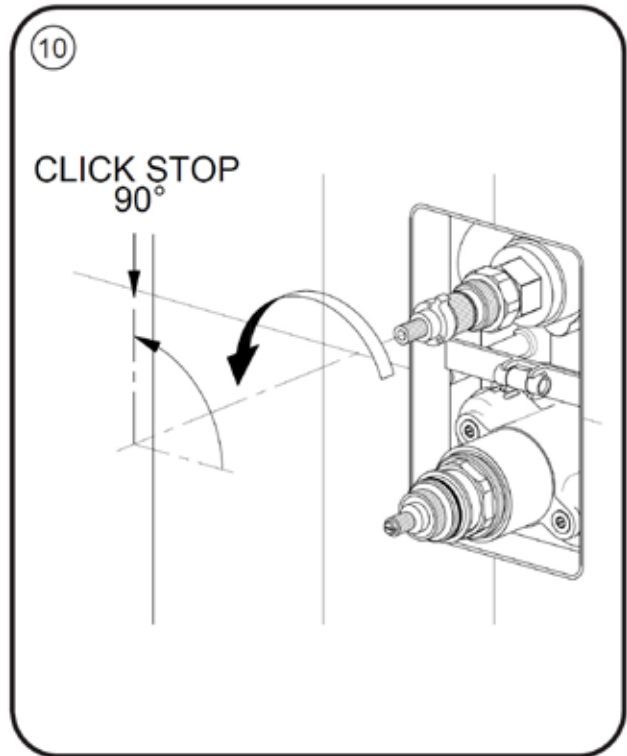
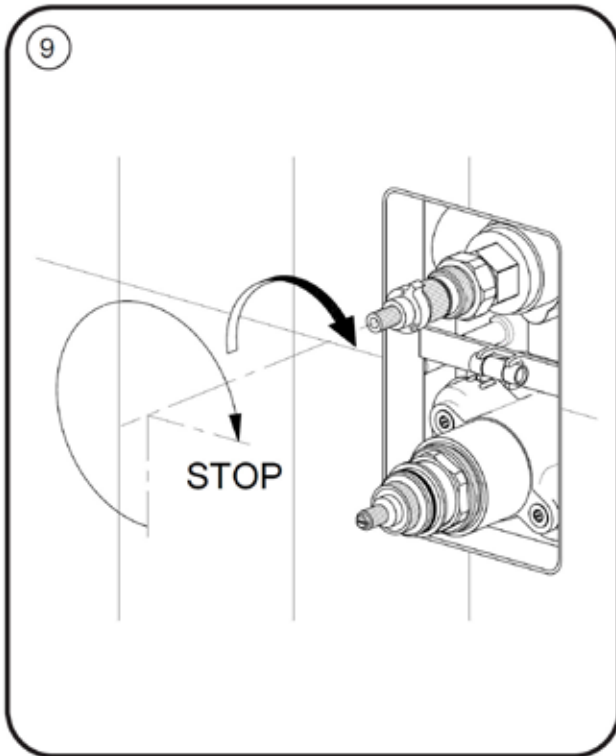
For use with UmaBox



CIFIAL®

www.cifial.co.uk
sales@cifial.co.uk

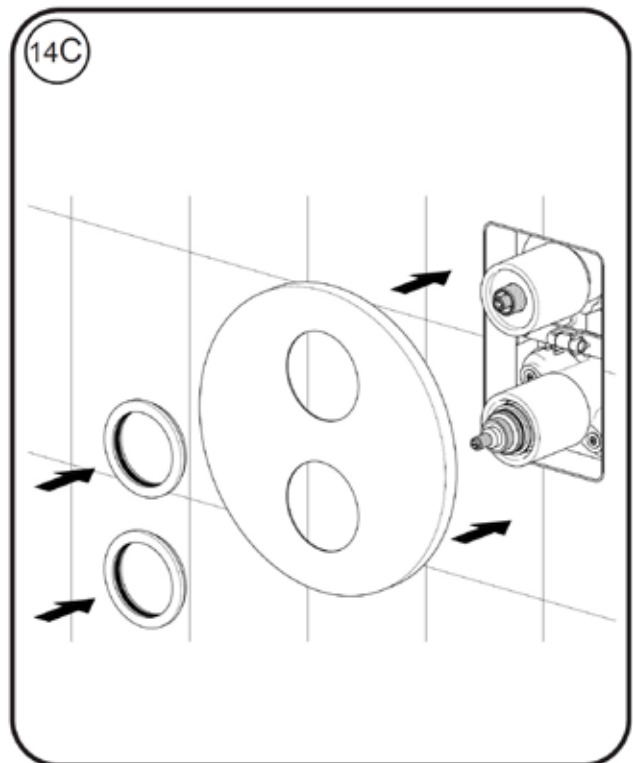
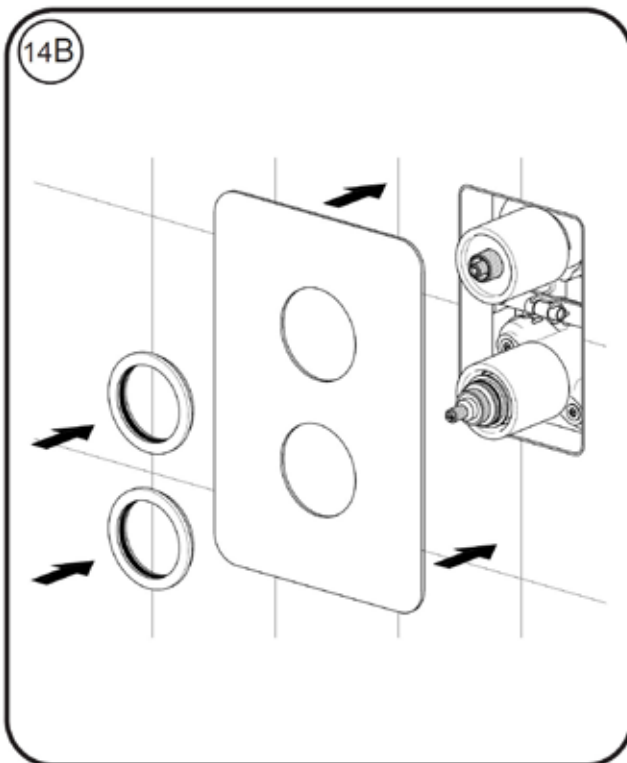
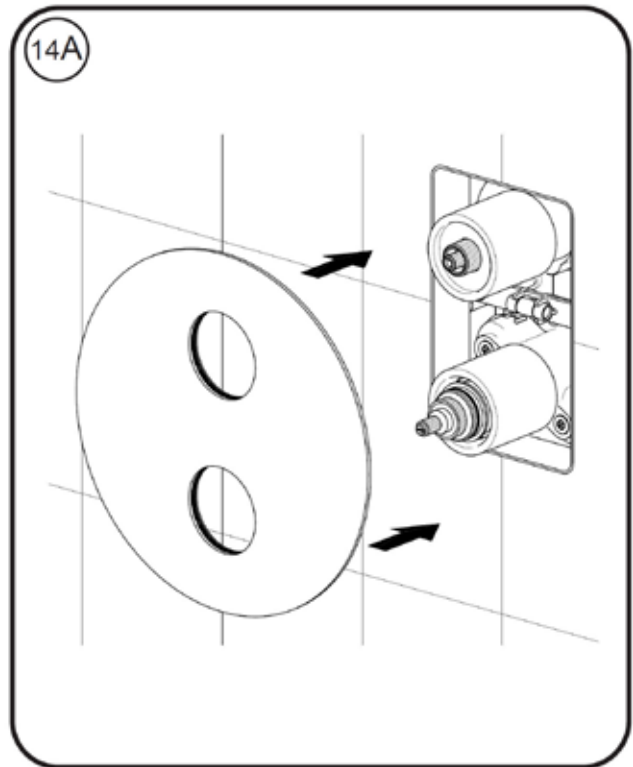
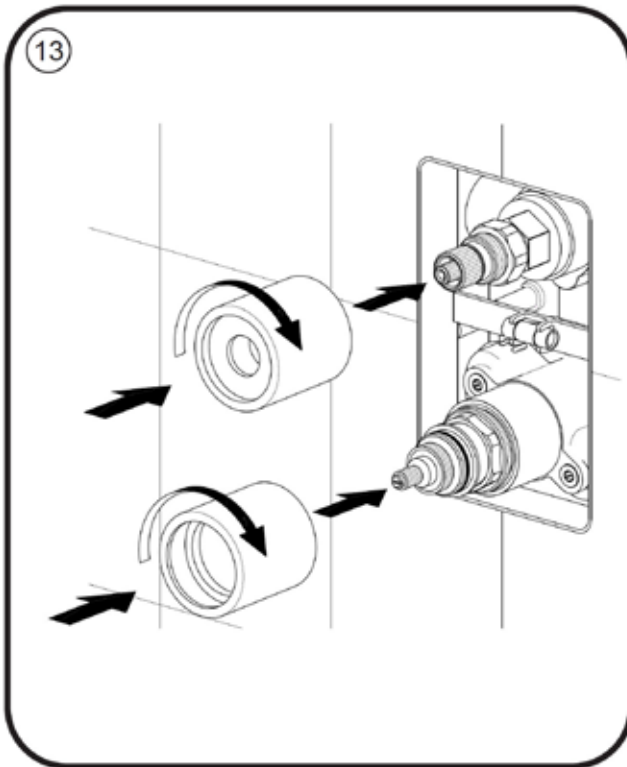
For use with UmaBox



CIFIAL®

www.cifial.co.uk
sales@cifial.co.uk

For use with UmaBox



CIFIAL®

www.cifial.co.uk
sales@cifial.co.uk

For use with UmaBox

INDEX FOR NEXT STEPS.....

Continue to page 10



UMA35



UMA465



UMACOULE

Continue to page 13



UMACUDO

Continue to pg 16



UMATRAD

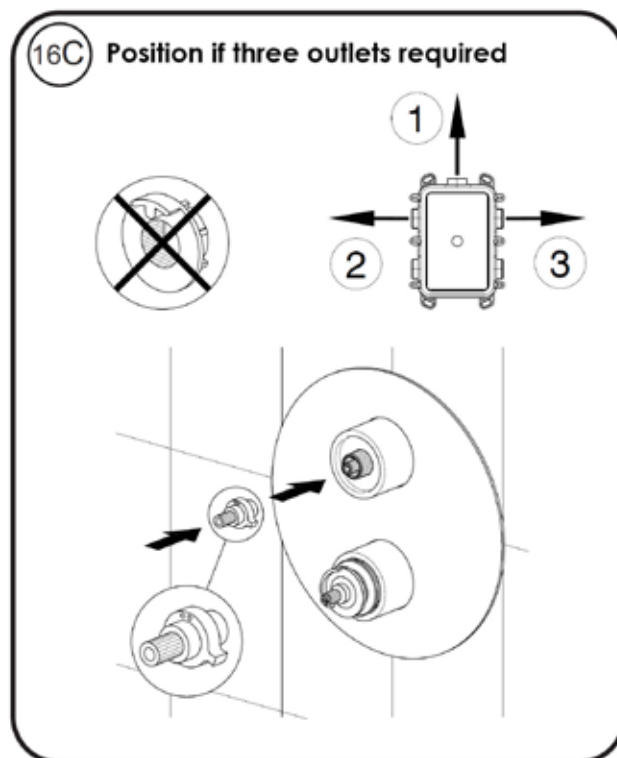
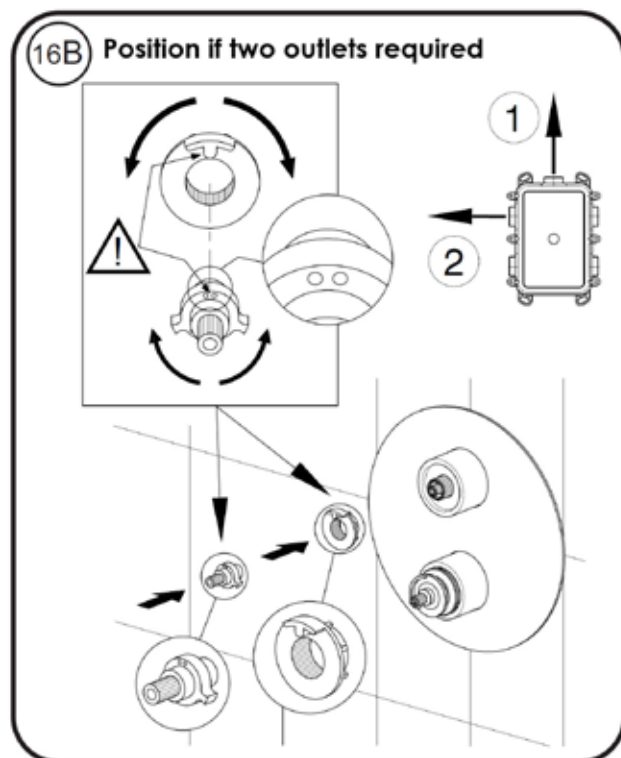
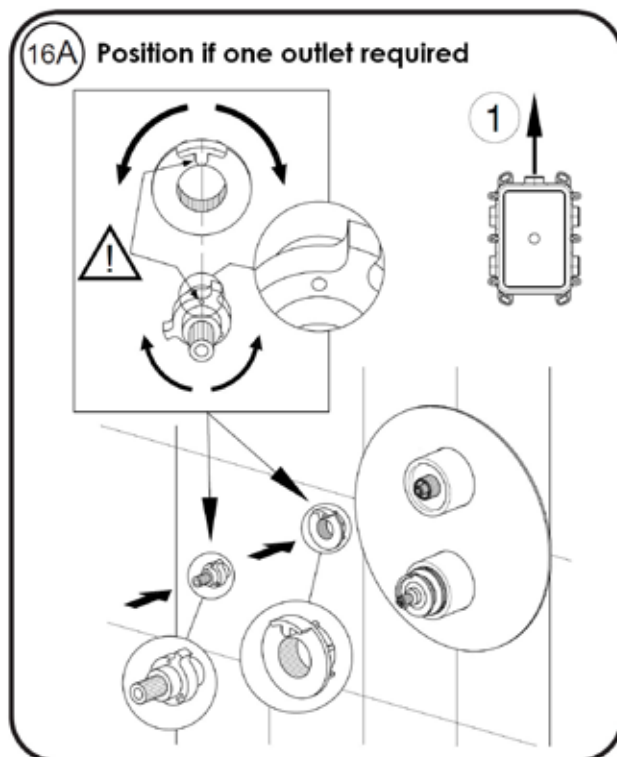
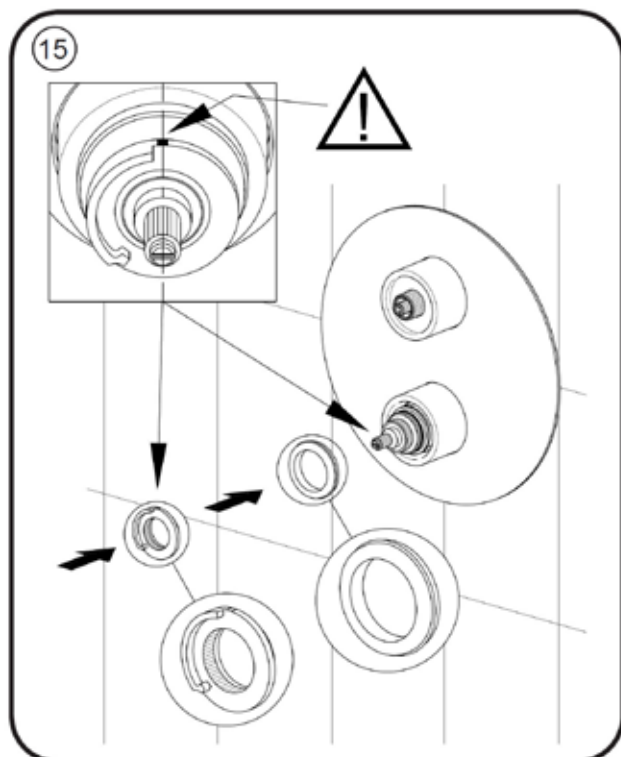
CIFIAL®

www.cifial.co.uk
sales@cifial.co.uk

UmaBox Trim installation

10

For use with UmaBox

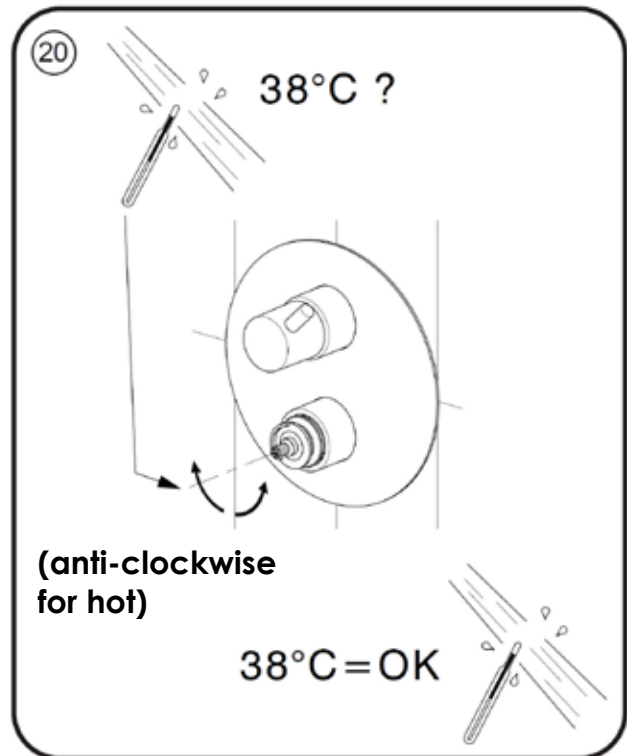
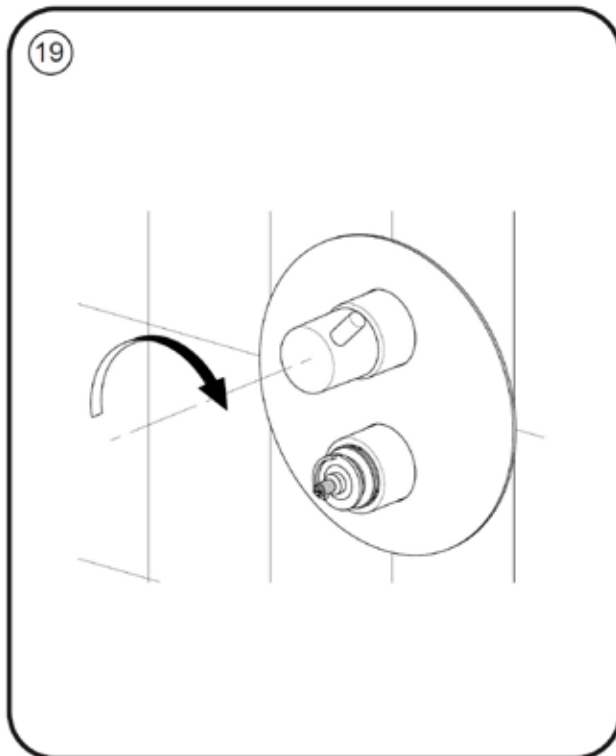
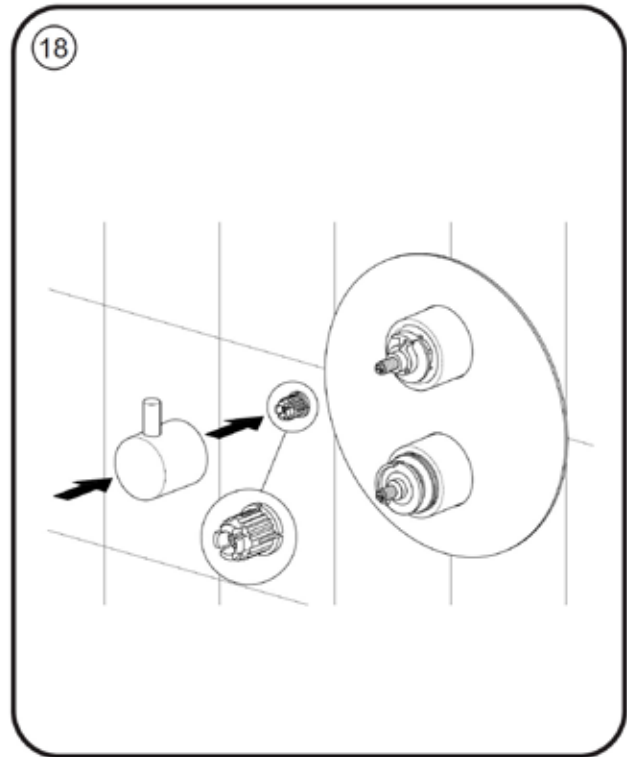
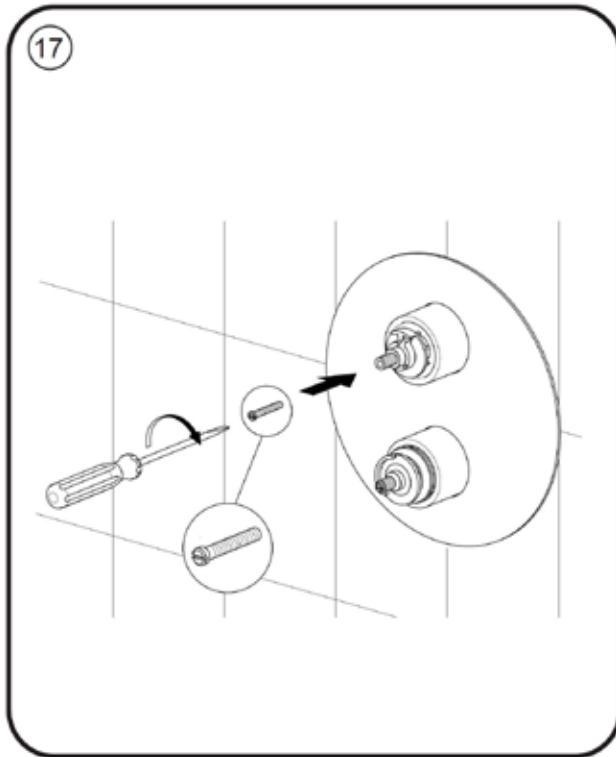


Models:
UMA35, UMA465, UMACOULE

CIFIAL®

www.cifial.co.uk
sales@cifial.co.uk

For use with UmaBox

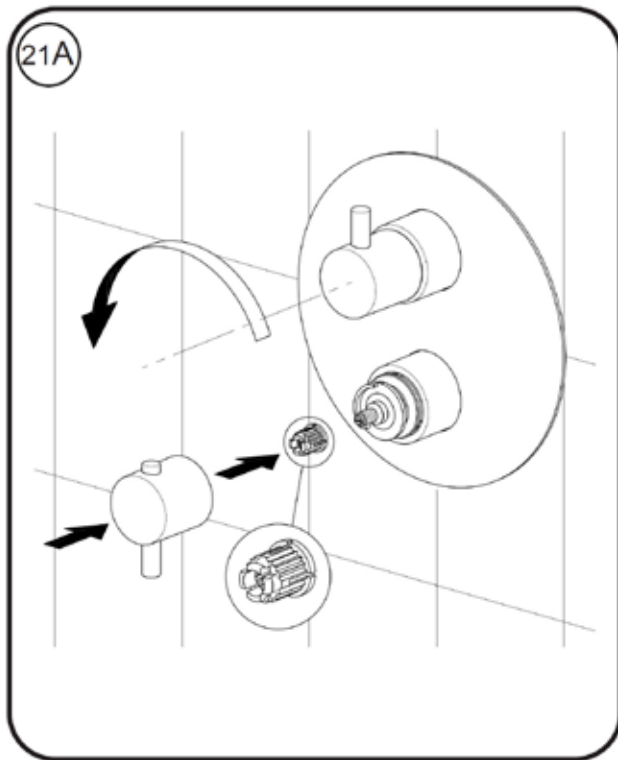


CIFIAL®

www.cifial.co.uk
sales@cifial.co.uk

Models:
UMA35, UMA465, UMACOULE

For use with UmaBox

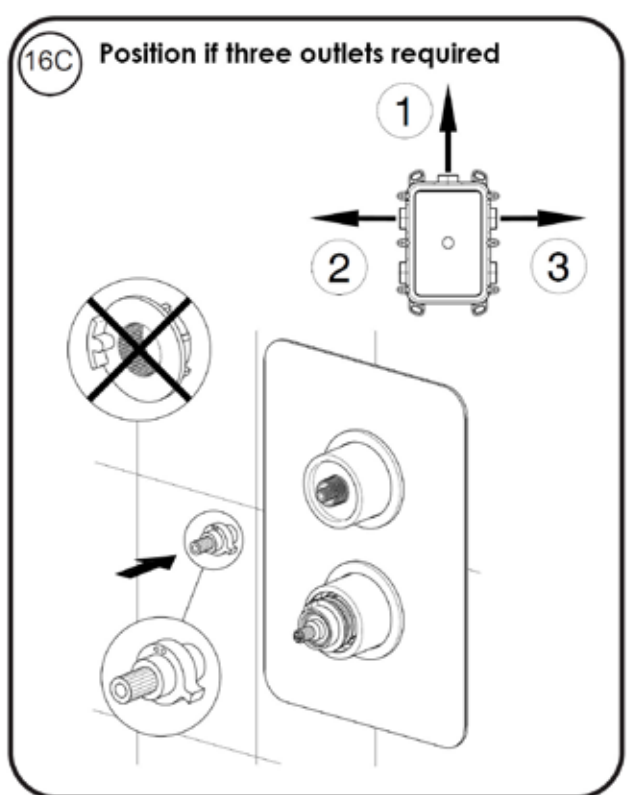
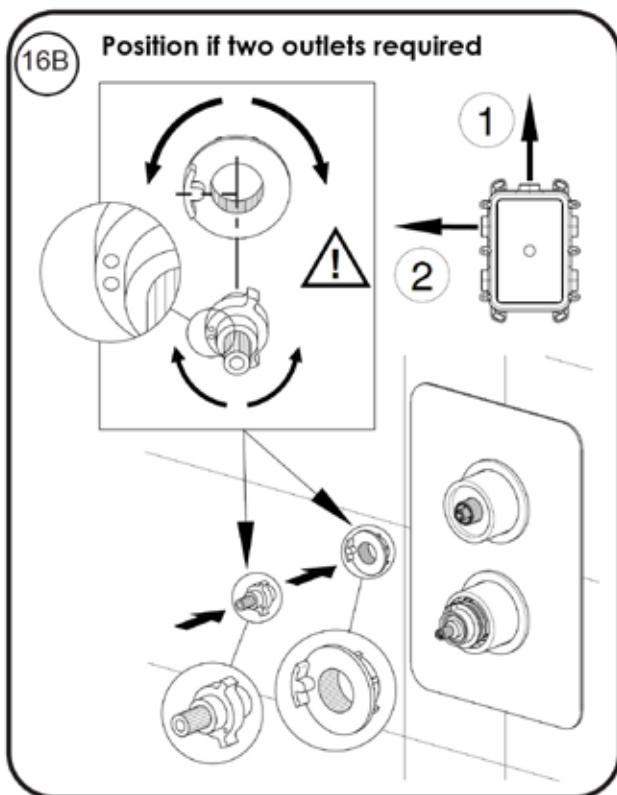
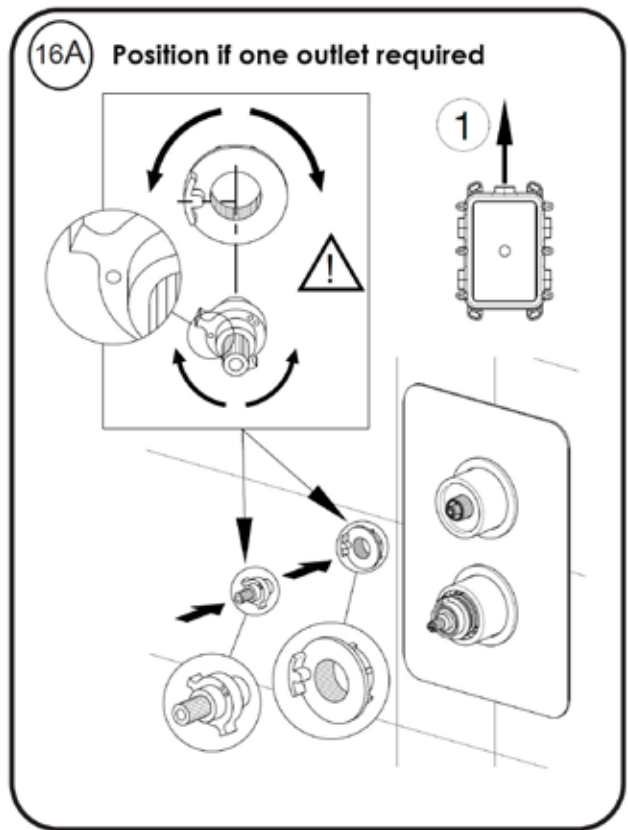
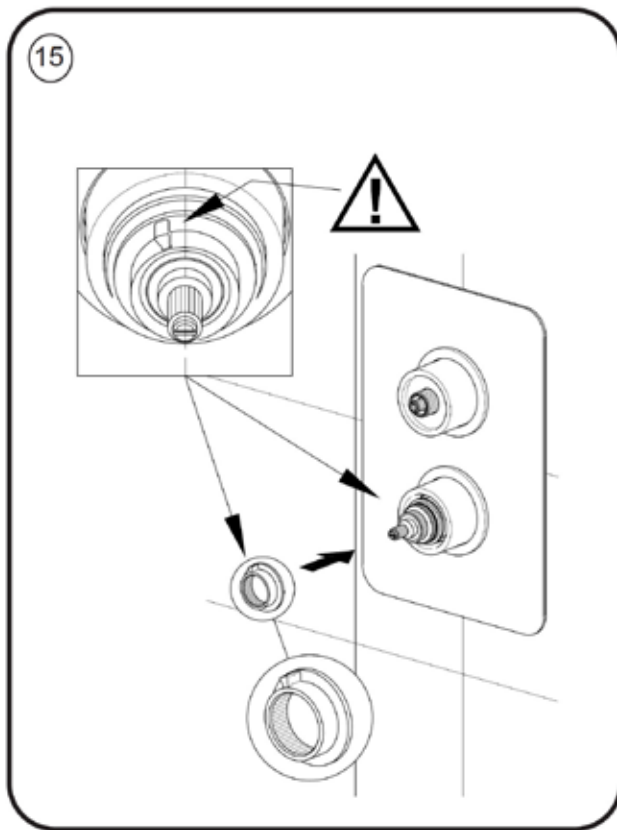


Models:
UMA35, UMA465, UMACOULE

CIFIAL®

www.cifial.co.uk
sales@cifial.co.uk

For use with UmaBox

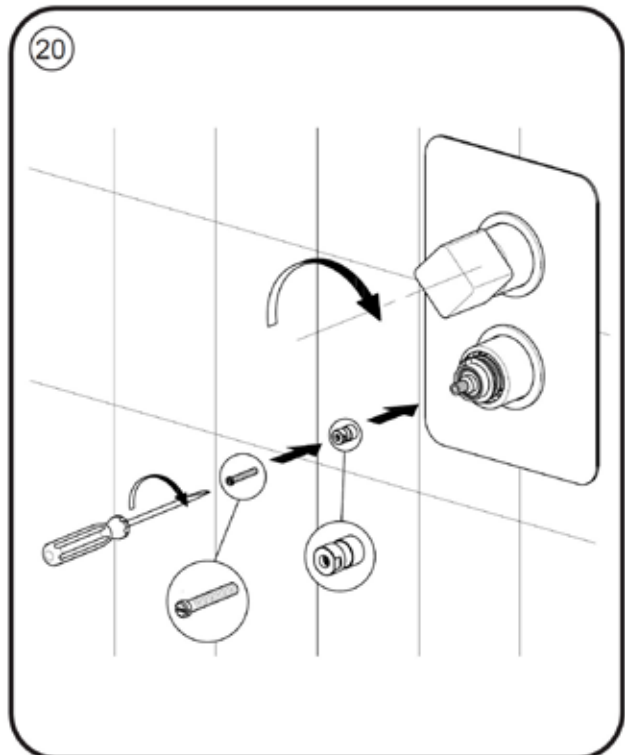
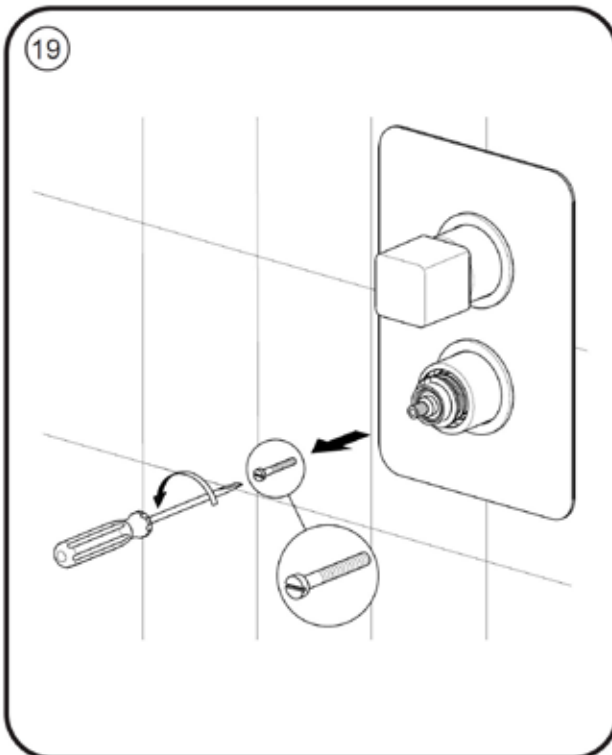
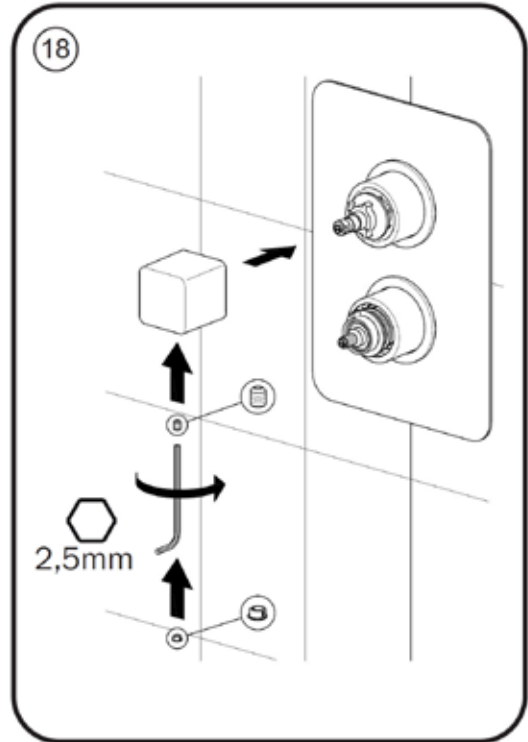
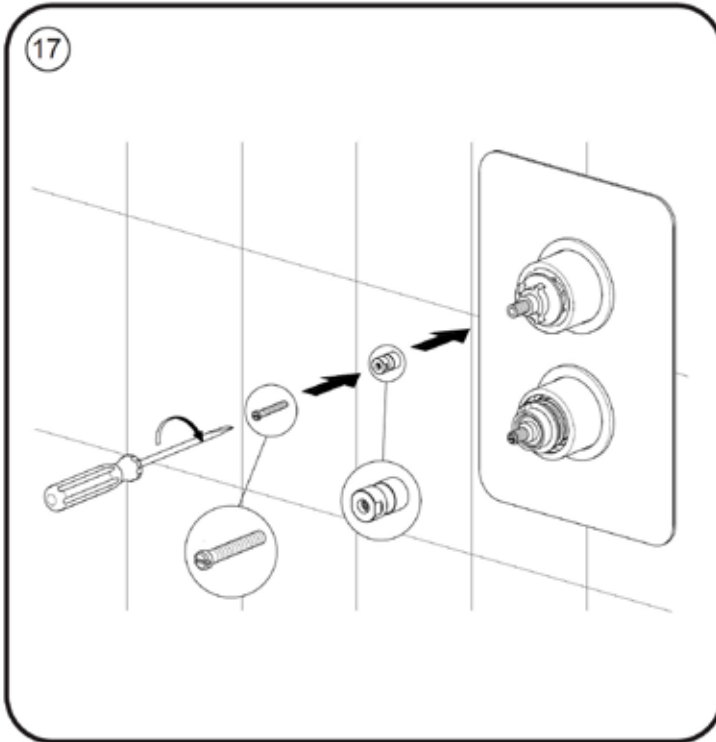


CIFIAL[®]

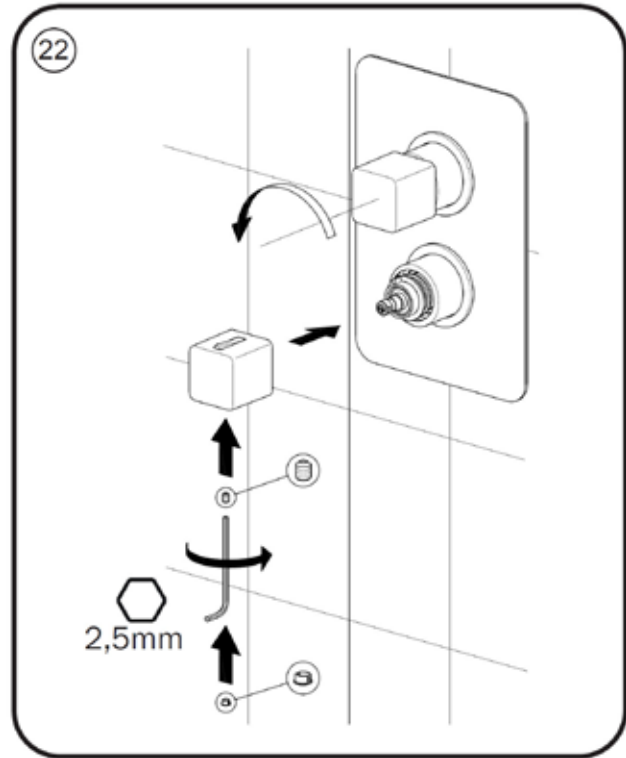
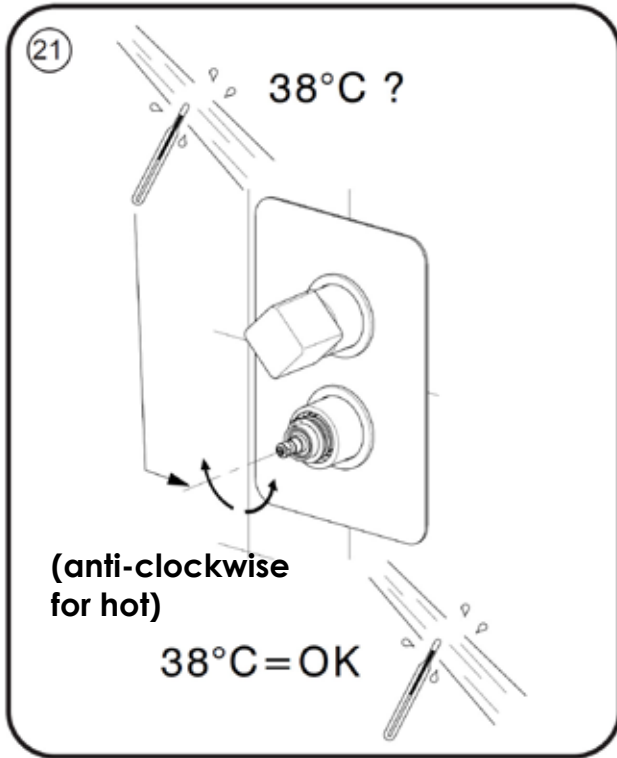
www.cifial.co.uk
sales@cifial.co.uk

Model:
UMACUDO

For use with UmaBox



For use with UmaBox

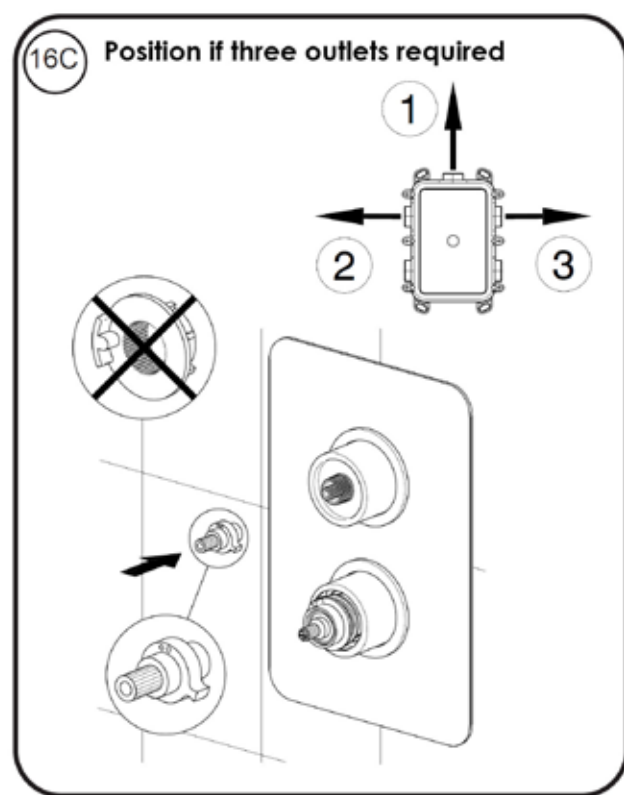
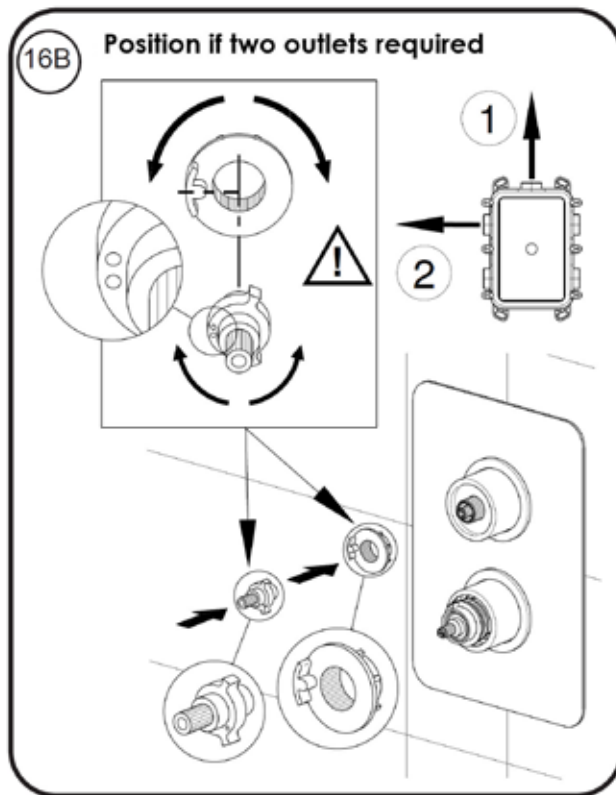
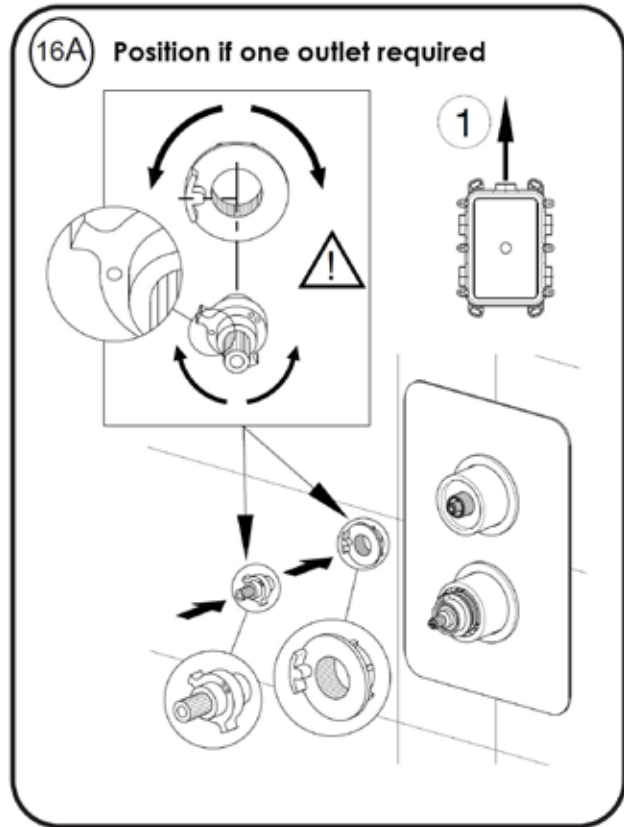
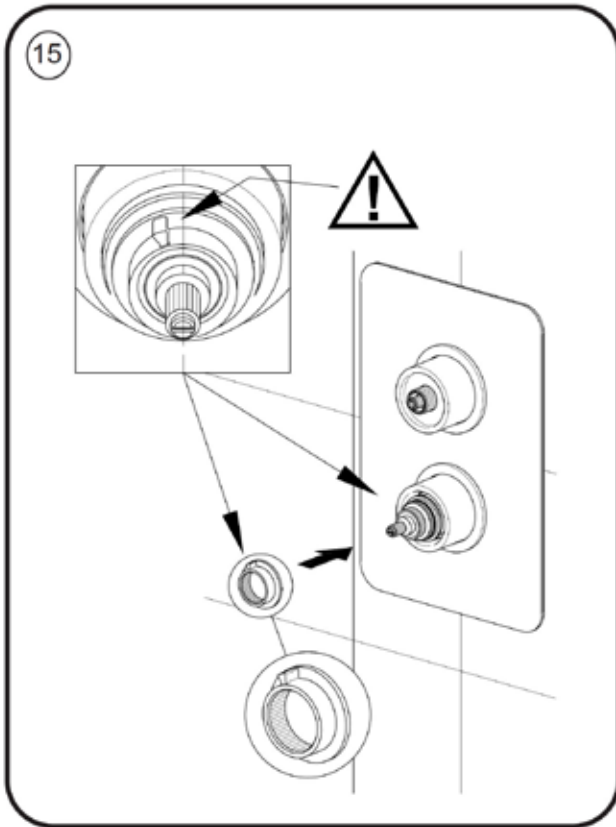


CIFIAL®

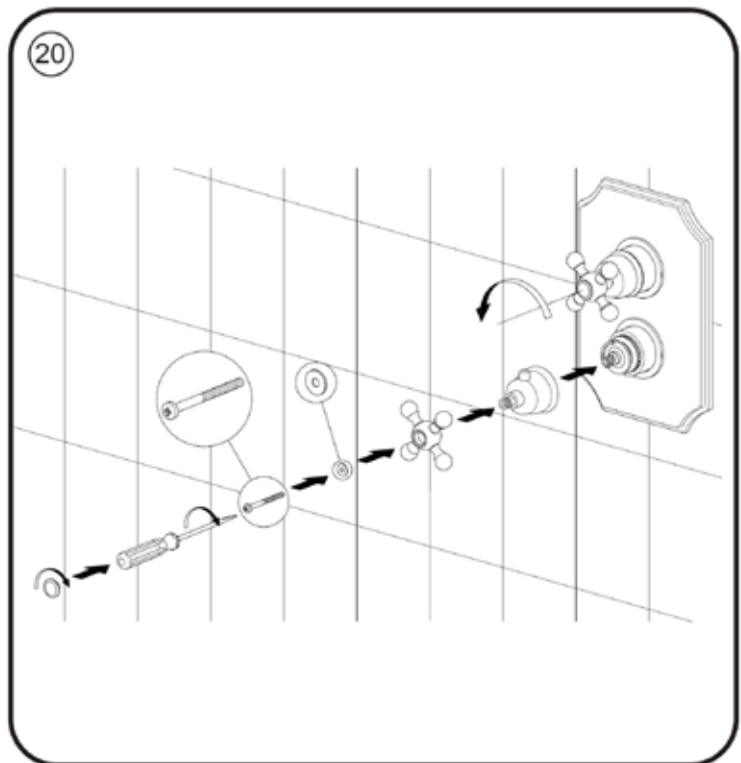
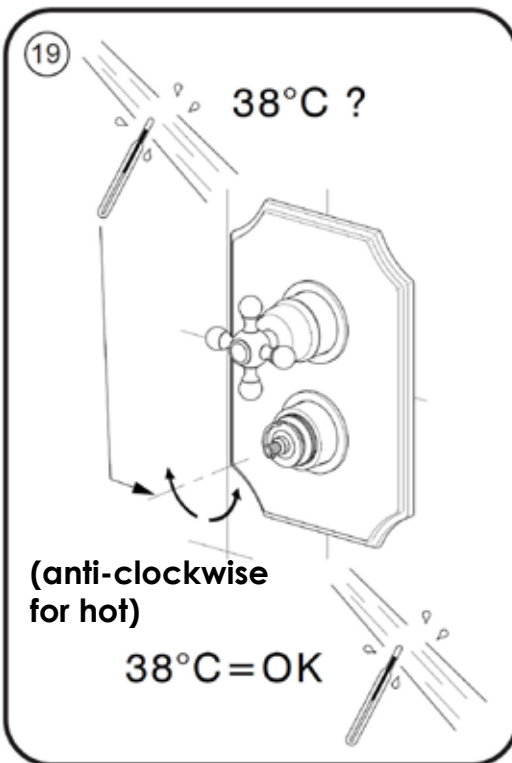
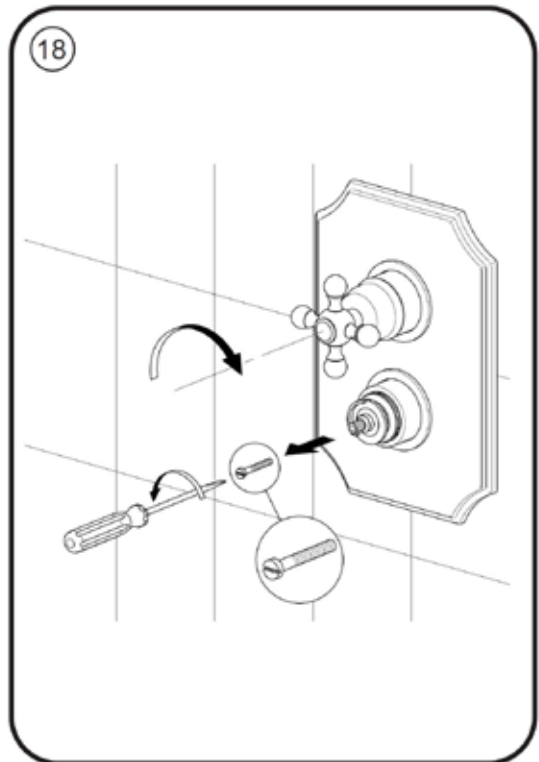
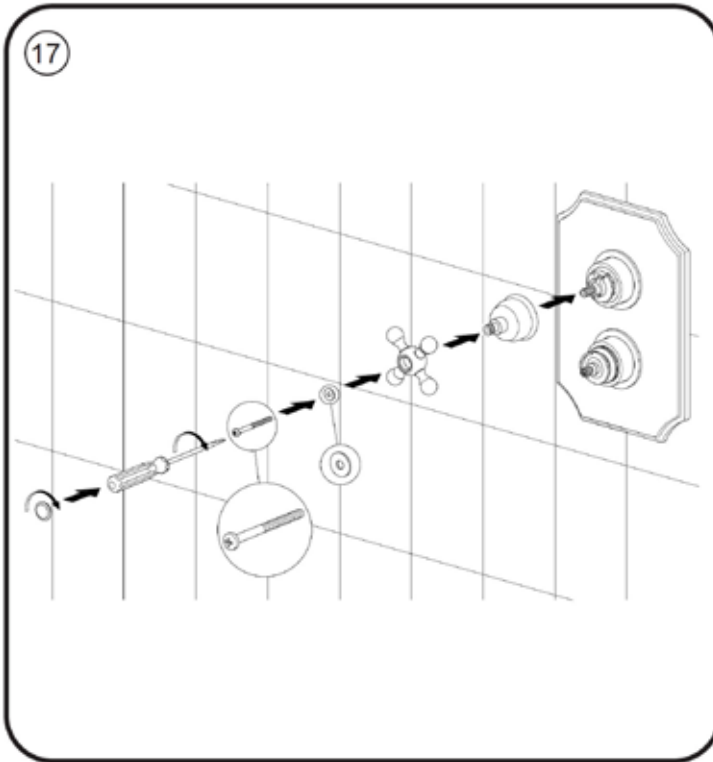
www.cifial.co.uk
sales@cifial.co.uk

Model:
UMACUDO

For use with UmaBox



For use with UmaBox

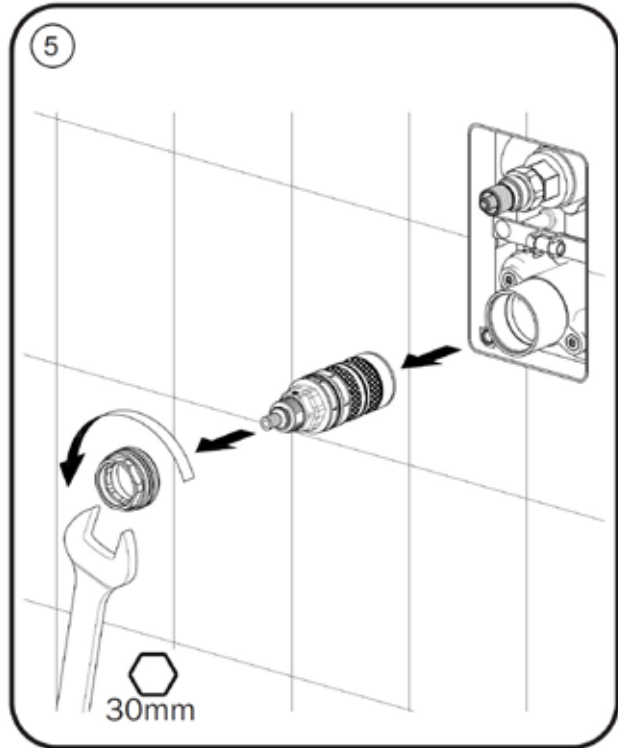
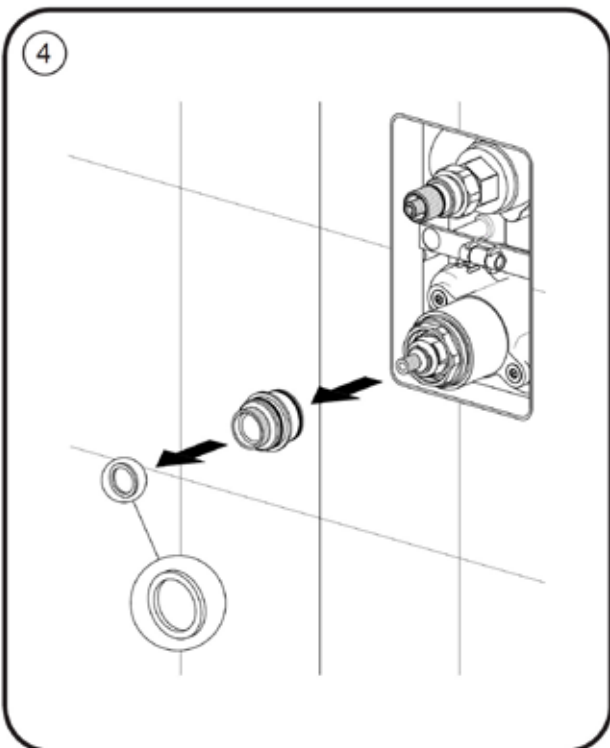
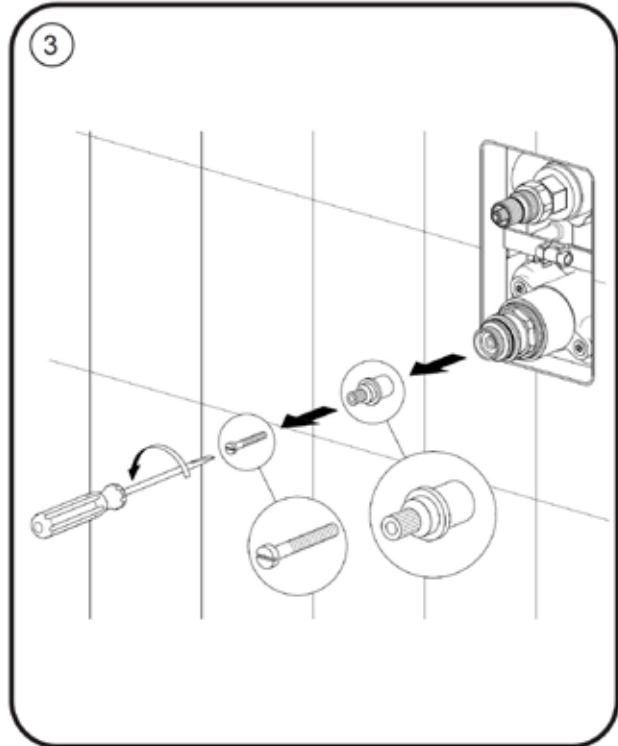
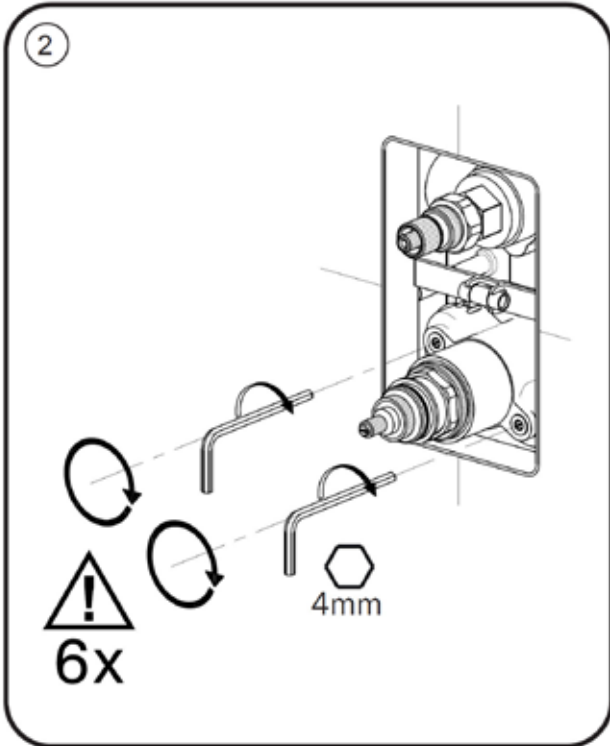
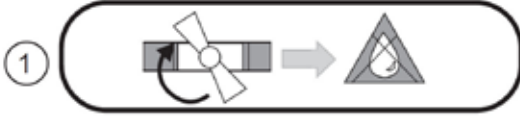


CIFIAL®

www.cifial.co.uk
sales@cifial.co.uk

Model:
UMATRAD

Cartridge code: 24.04.AUC.PP



CIFIAL®

www.cifial.co.uk
sales@cifial.co.uk

Cartridge code: 24.04.AUC.PP



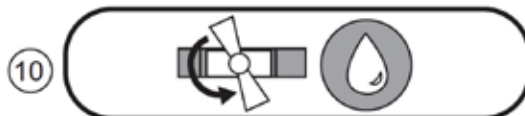
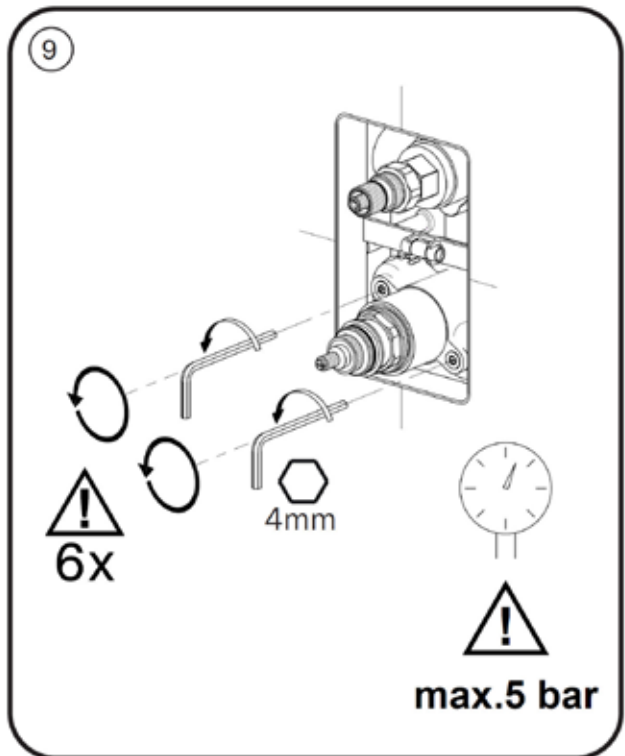
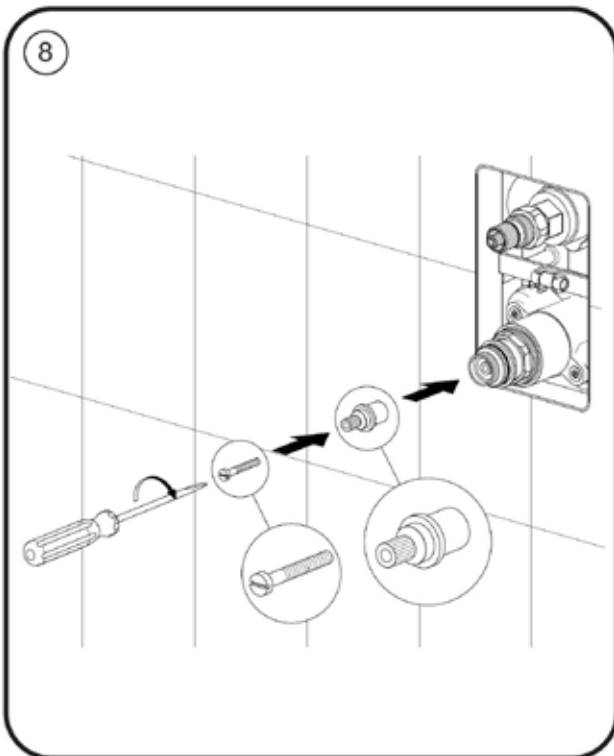
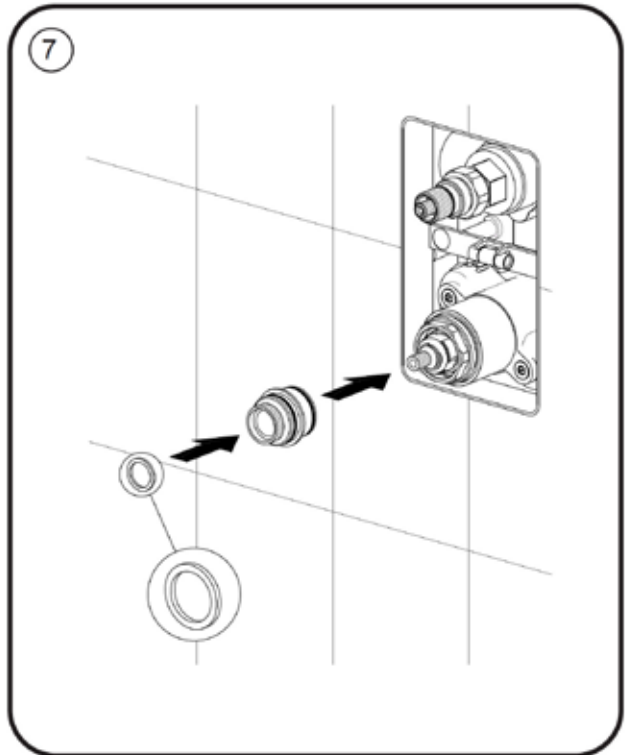
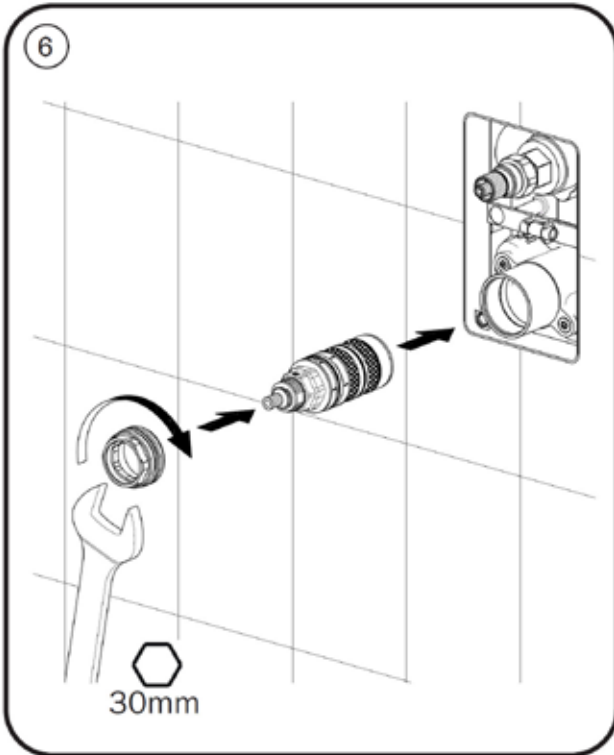
50% Water
50% Kitchen Vinegar



CIFIAL®

www.cifial.co.uk
sales@cifial.co.uk

Cartridge code: 24.04.AUC.PP

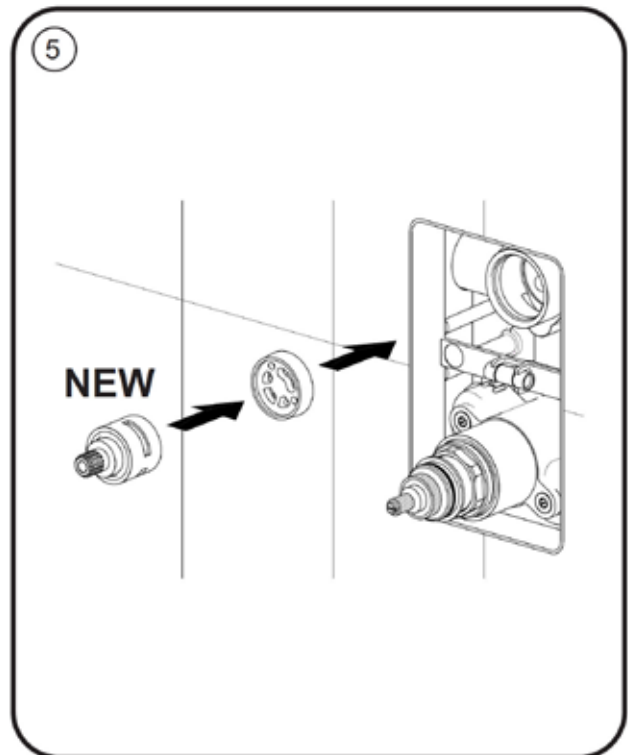
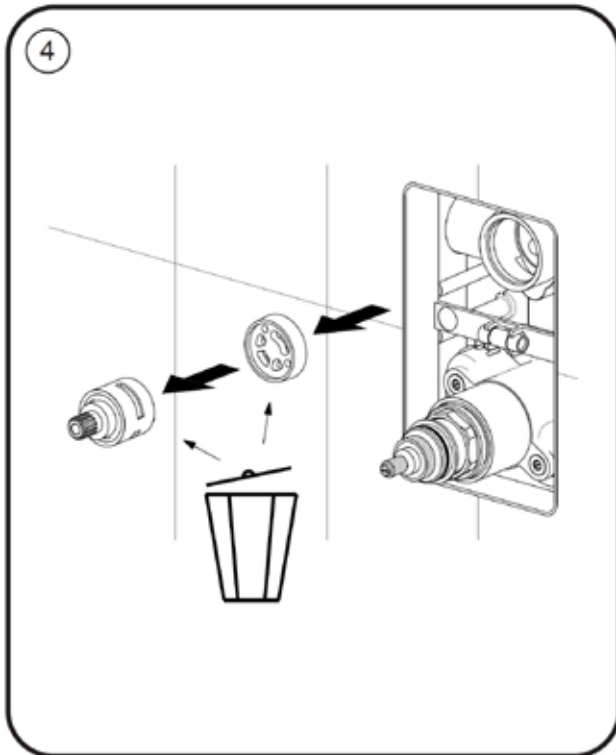
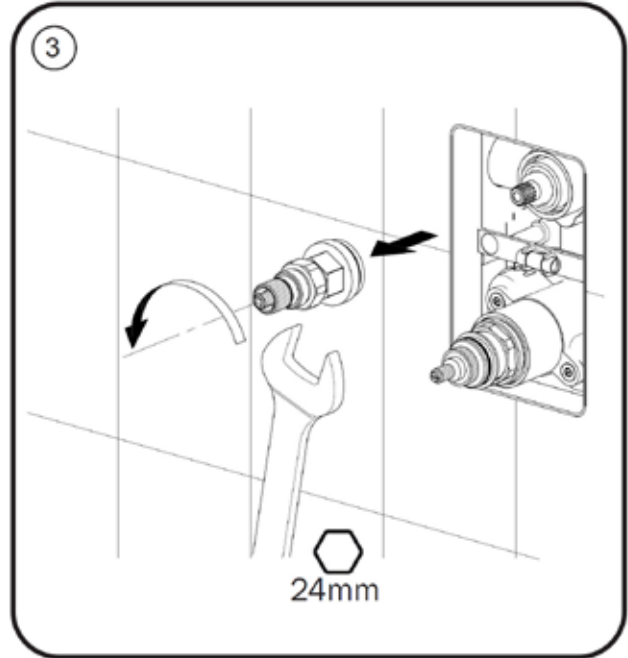
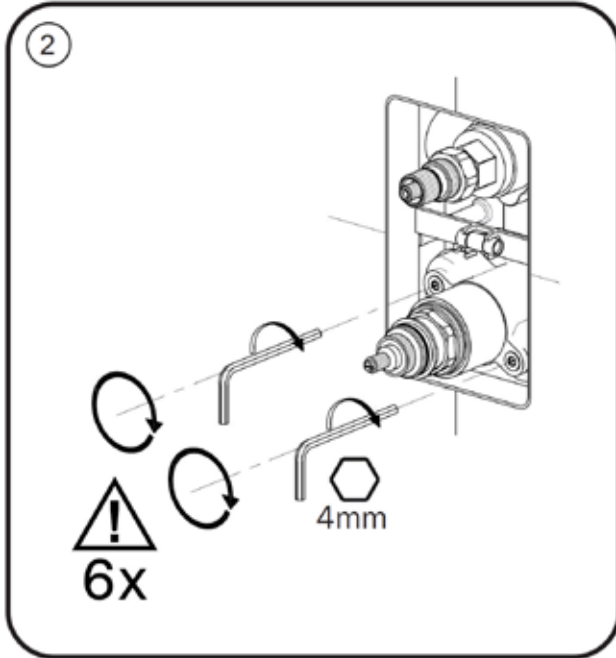
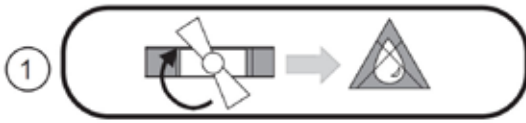


CIFIAL®

www.cifal.co.uk
sales@cifal.co.uk

21 To Replace Diverter Cartridge

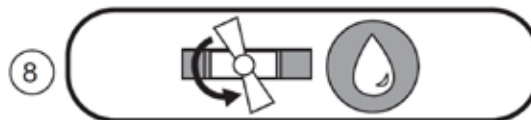
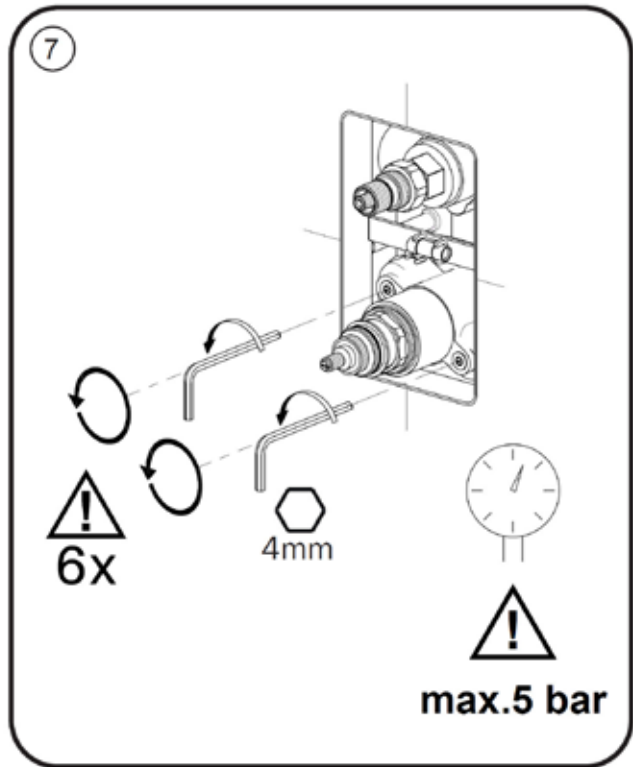
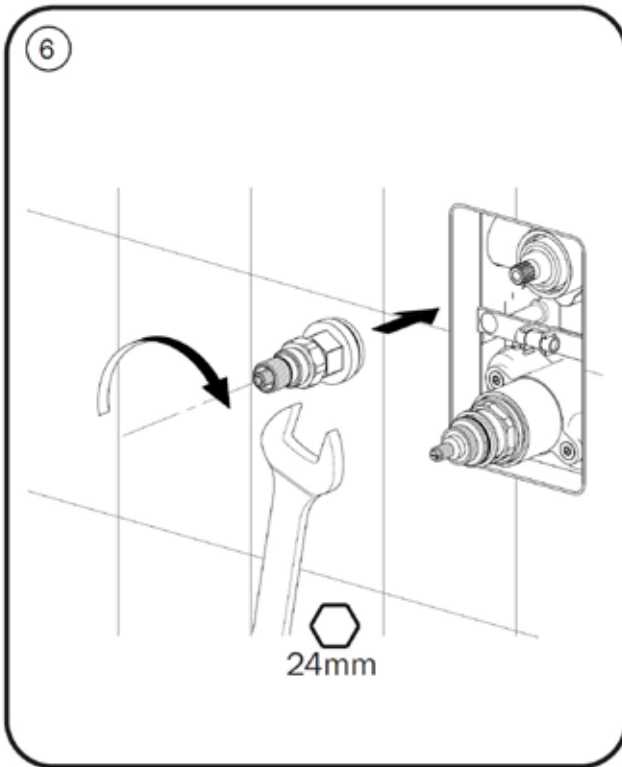
Cartridge code: 05.KD.06.CP3S



CIFIAL®

www.cifial.co.uk
sales@cifial.co.uk

Cartridge code: 05.KD.06.CP3S



CIFIAL®

www.cifial.co.uk
sales@cifial.co.uk

CIFIAL®

**CIFIAL UK LTD
7 Faraday Court
Park Farm Ind Est
Wellingborough
Northants
NN8 6XY
www.cifial.co.uk
sales@cifial.co.uk
Tel: 01933 402008**

IMPORTANT: Please leave these instructions with the user and keep them